

YOU WILL BE AWARE IF ANY OF THESE THREE CONDITIONS HAS OCCURRED

There are three situations where the under pressure shut off (UPS) could operate and may be reset by you. These are as follows:

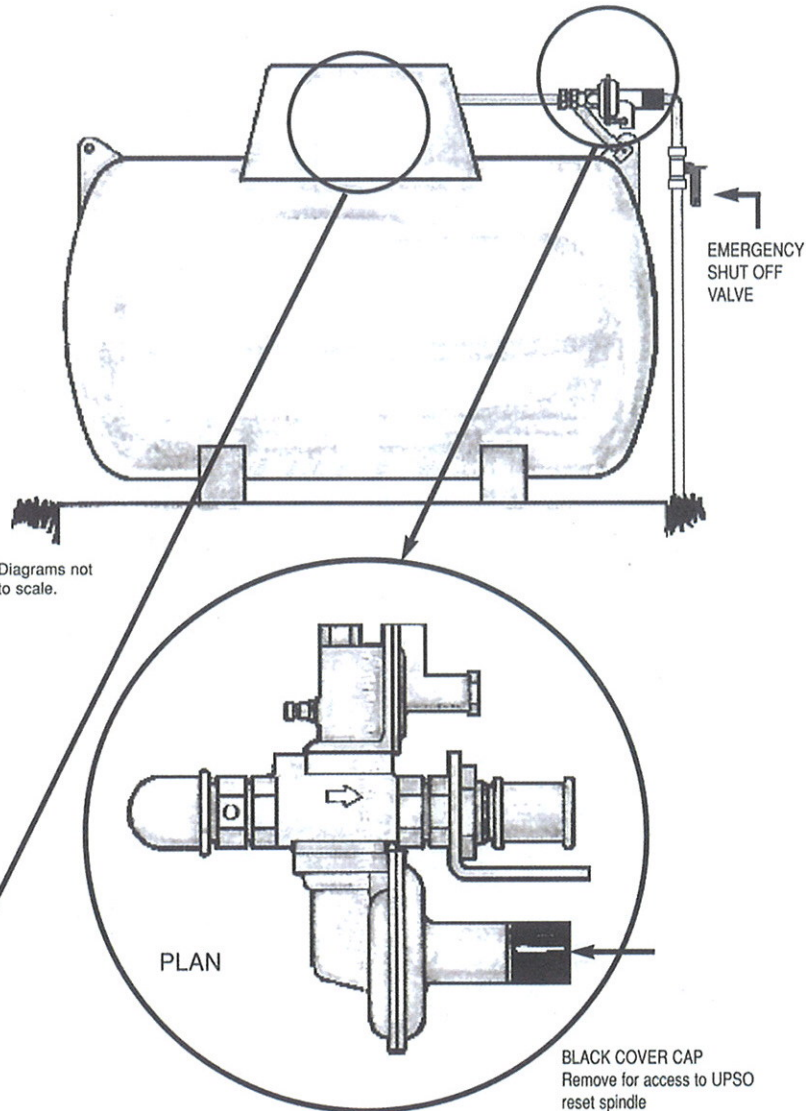
- 1) The tank was allowed to become empty and has now been filled.
- 2) The red isolation valve (under the tank hood) has been turned off.
- 3) The supply to the house has been disconnected and reconnected.

If the supply has become cut off for any other reason, then contact the Calor Customer Engineering Department for assistance.

If the regulator is to be reset, first ensure that:

- 1) All gas appliances and isolating valves at each appliance are turned off.
- 2) The red isolation valve (under the tank hood) is fully open. If it is fully or partly closed, then turn it anticlockwise to open.

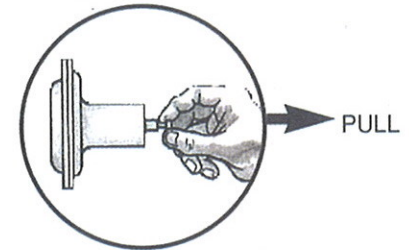
RE-SETTING THE UNDER PRESSURE SHUT OFF ON YOUR TANK SUPPLY



RE-SETTING PROCEDURE

Remember: ensure all gas appliances and emergency control valve are turned off. Ensure red isolation valve (Under tank hood) is fully open.

- 1) Remove the black cover cap on the regulator as illustrated.
- 2) Grip the spindle firmly and pull – do NOT push. You should be able to both hear and feel if the regulator has reset.



- 3) Release the spindle gently and replace the black cover.
- 4) Slowly open the isolating valves at each appliance. Relight any permanent pilots and check that all appliances will light to ensure that the gas supply has been re-established.
- 5) If the gas supply does not re-establish itself then check that all appliances are turned off and then repeat the reset procedure as detailed above.

IMPORTANT

If after two attempts the gas supply has not been re-established or you have any doubts or difficulty, contact the Calor Customer Engineering Department for assistance

Tel: (01) 450 5000 Fax: (01) 450 6070.

